

Eco Preparation 1200 mm Work Table with Upstand - Right Bowl

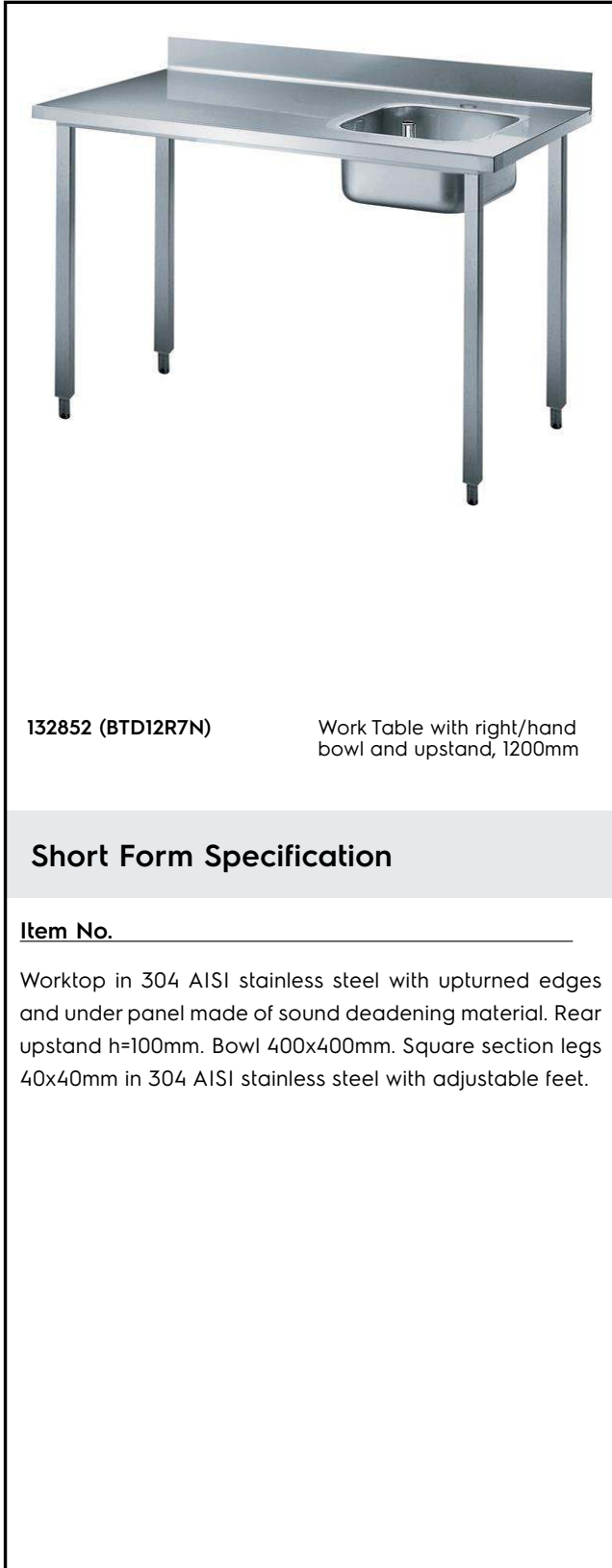
ITEM # _____

MODEL # _____

NAME # _____

SIS # _____

AIA # _____


132852 (BTD12R7N)

Work Table with right/hand bowl and upstand, 1200mm

Short Form Specification

Item No. _____

Worktop in 304 AISI stainless steel with upturned edges and under panel made of sound deadening material. Rear upstand h=100mm. Bowl 400x400mm. Square section legs 40x40mm in 304 AISI stainless steel with adjustable feet.

Main Features

- The table can be ordered with the drawer of 400 mm or 600 mm (optional accessory): thanks to the design of the drawer, additional drawers can be added to the first single drawer to create chest of 2, 3 or 4 drawers based on customer's needs.
- Sturdiness, stability and reliability of table accurately tested.
- 100 mm upstand with 13mm depth and 10 mm radiused corner, designed to be used against a wall.

Construction

- Single-pressed bowl AISI 304 stainless steel bowl with overflow pipe and drain hole.
- 40 mm worktop in 304 AISI stainless steel.
- Wide range of taps are available to suit every need.
- Constructed entirely in stainless steel to offer maximum durability.
- Delivered in knock-down package.

Optional Accessories

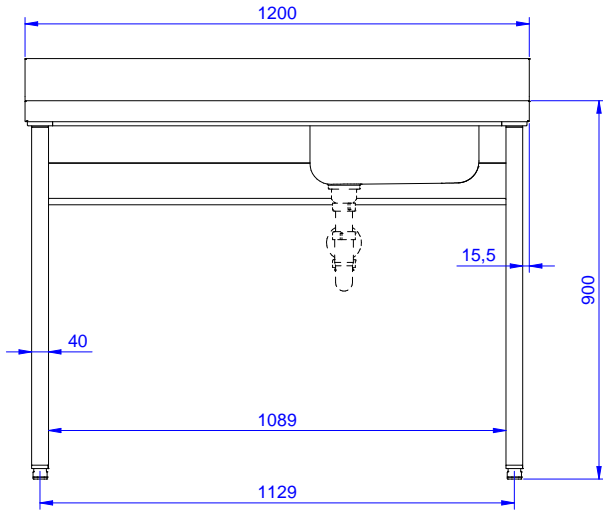
- Lower shelf for 1200mm tables and sinks and for 1800 mm undercounter dishwasher sinks PNC 855145
- Set of 4 wheels (2 with brake) d. 100mm for tables and sinks (total height on wheels= 993 mm) PNC 855150
- 3-sided underframe for 1200mm tables PNC 855152
- Single plastic drain syphon 1,5 " for work tables with bowl PNC 855306
- Elbow operated mixer tap with spout 3/4", single hole PNC 855322
- Elbow operated mixer tap with short spout 3/4", single hole PNC 855323
- Foot operated mixer tap (hot and cold) with spout 3/4" PNC 855328

APPROVAL: _____

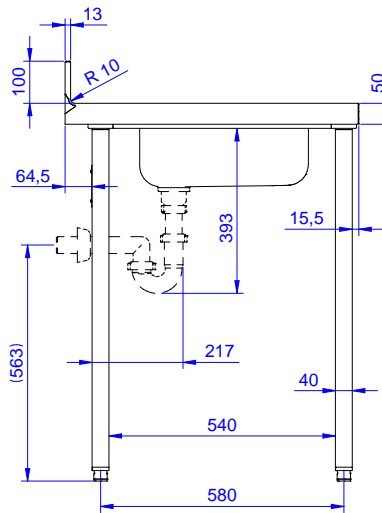
Key Information:

External dimensions, Width:	1200 mm
132852 (BTD12R7N)	
External dimensions, Depth:	700 mm
External dimensions, Height:	900 mm
Upstand Dimensions, Height:	100 mm
Upstand Dimensions, Depth:	13 mm
Upstand Dimensions, Radius:	R=10
Bowls number	1
Bowl dimensions	400x400xH200
Worktop thickness:	50 mm
Net weight:	30 kg

Front



Side



D = Drain

Top

